

Specifications

Model	TZ-34/20	
Measurements	Metric	US
Working height*	12.36 m	40 ft
Platform height	10.36 m	34 ft
Entry height - extended	0.16 m	6.4 in
Horizontal reach	5.59 m	18 ft 4 in
Clear out reach	4.09 m	13 ft 5 in
Up and over clearance	4.90 m	16 ft 1 in
▲ Platform length	0.68 m	2 ft 2.8 in
▲ Platform width	1.12 m	3 ft 8 in
▲ Height - stowed	1.94 m	6 ft 4.5 in
▲ Length - stowed	5.50 m	18 ft 0.5 in
▲ Width - stowed	1.45 m	4 ft 9.1 in
▲ Ground clearance	0.24 m	9.5 in
▲ Length - outrigger footprint	3.26 m	10 ft 8.4 in
▲ Width - outrigger footprint	3.59 m	11 ft 9.4 in

Productivity

Lift capacity - standard	200 kg	440 lbs
Lift capacity - rotating platform	181 kg	400 lbs
Self leveling platform	standard	
Platform rotation option	90° mechanical	
AC power to platform	standard	
Turntable rotation	359° non-continuous	
Outrigger leveling capability	11°	
Towing speed rate	97 km/h	60 mph
Tongue weight **	74 kg	163 lbs
Surge and parking brakes	standard	
Controls	variable speed system	
Tyre size	185R - 14C	
Coupler	5.08 cm (2 in) ball coupler	

Power

Power source	24V DC (four 6V 225Ah batteries)	
Hydraulic tank capacity	14.57 L	3.85 gal
Hydraulic system capacity	17 L	4.5 gal

Sound & Vibration Levels

Sound pressure level (ground workstation)	<70 dBA	<70 dBA
Sound pressure level (platform workstation)	<70 dBA	<70 dBA
Vibration	<2.5 m/s ²	<8 ft 2 in/s ²

Weight**

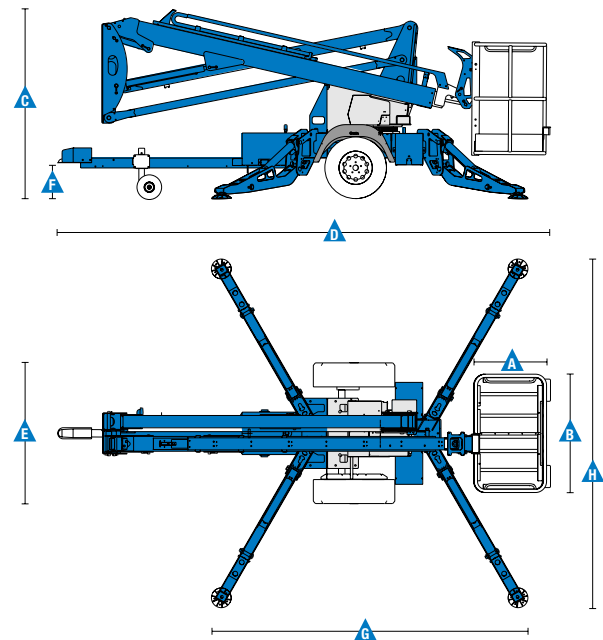
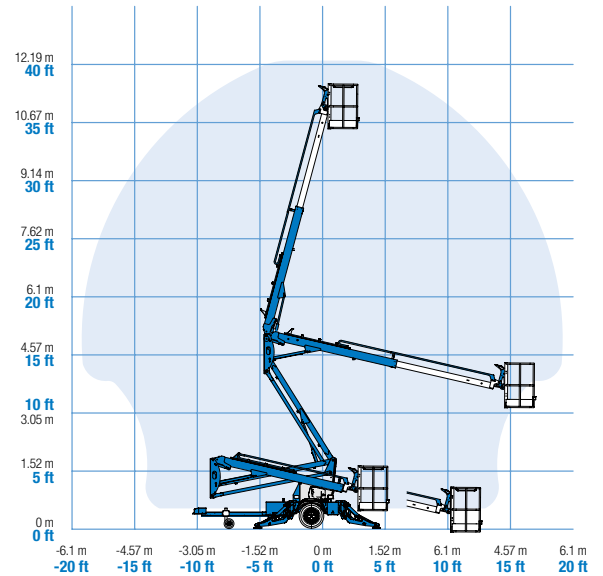
Weight CE	1,438 kg	3,170 lbs
Unit weight modifiers for main options		
Bicycle guard:	add 15 kg	add 32 lbs
Full size spare tyre:	add 27 kg	add 60 lbs

Standards Compliance

EU Directives: 2006/42/EC - Machinery (harmonized standard EN280:2013); 2004/108/EC (EMC); 2006/95/EC (LVD); 2000/14/EC (Outdoor Noise)

* The metric equivalent of working height adds 2 m to platform height. U.S. adds 6 ft to platform height.
** Weight will vary depending on options and/or country standards.

Range Of Motion TZ-34/20



Features

Standard Features	Easily Configured To Meet Your Needs	Options & Accessories
-------------------	--------------------------------------	-----------------------

Measurements

- 12.36 m (40 ft) working height
- 5.59 m (18 ft 4 in) horizontal reach
- Up to 227 kg (500 lbs) lift capacity

Productivity

- Industry leading working envelope
- Extension boom
- Self-levelling platform
- Variable speed control system
- AC wiring to platform
- Hydraulic outriggers
- Automatic 11° levelling system
- Outrigger interlocks
- Mechanical parking brake
- Hydraulic surge brakes
- Auxiliary pump down
- 5.08 cm (2 in) ball coupler
- Hitch pull bar
- Single jockey wheels
- 359° non-continuous turntable rotation
- Easy to access batteries
- Hour meter
- Tilt alarm / sensor
- Forklift pockets
- Illuminated outrigger indicators
- Wheel chocks
- Spare tyre
- Battery charge indicator (BCI)
- Certified load sensor
- Telematics-Ready Connector

Power

- 24V DC power source (four 6V 225 Ah batteries)

Platform Options

- Aluminum 0.68 x 1.12 m (26.8 x 44 in)
- 90° mechanical platform rotation ⁽¹⁾

Power

- 24V DC power source

Coupler

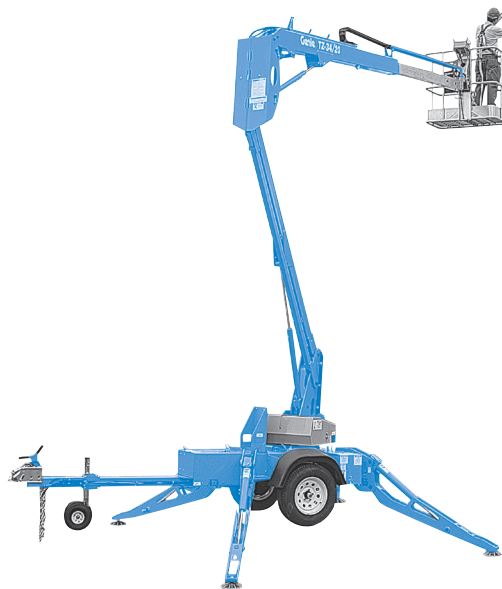
- 5.08 cm (2 in) ball coupler

Tyres

- 185 R14C
- Dual jockey wheels (optional)

Productivity

- Power to platform (incl. plug, socket and ground fault interrupt leakage on request)
- Track & Trace ⁽²⁾ (GPS unit providing machine location & operating information)
- Low temperature cut-out module
- Non-marking outrigger footpads
- Bicycle guard ⁽³⁾
- Horn
- Flashing Beacon
- Fluorescent tube caddy
- Tool tray



⁽¹⁾ Factory-fit option only
⁽²⁾ Includes a first 2 years subscription
⁽³⁾ Mandatory for France, Denmark, Netherlands